

8

7

6

5

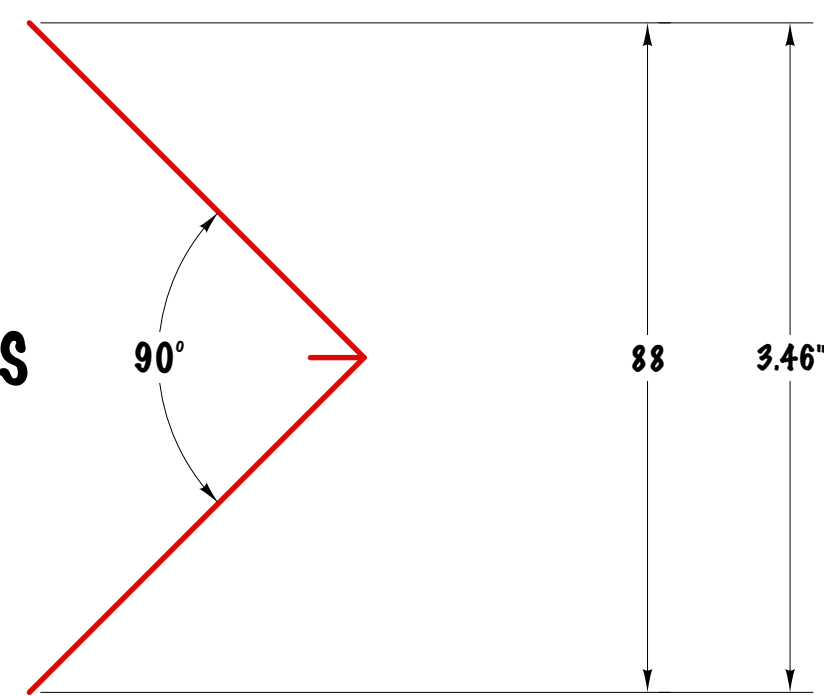
4

3

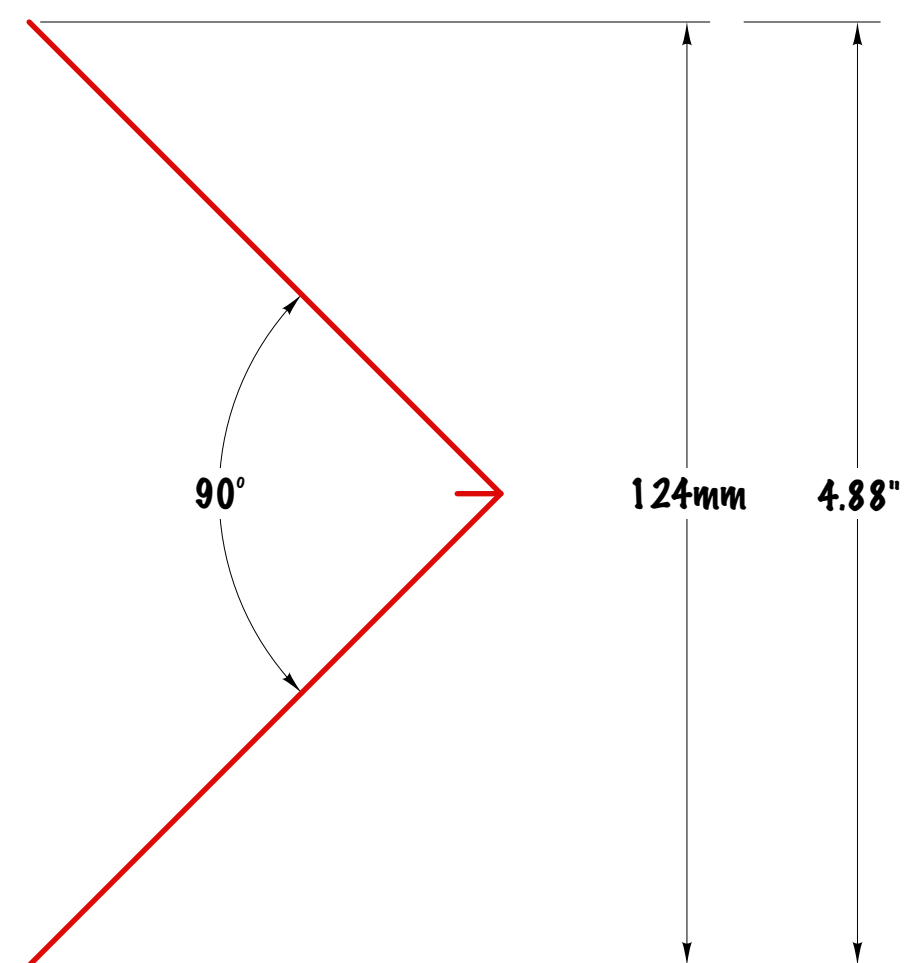
2

1

Profile: V1S



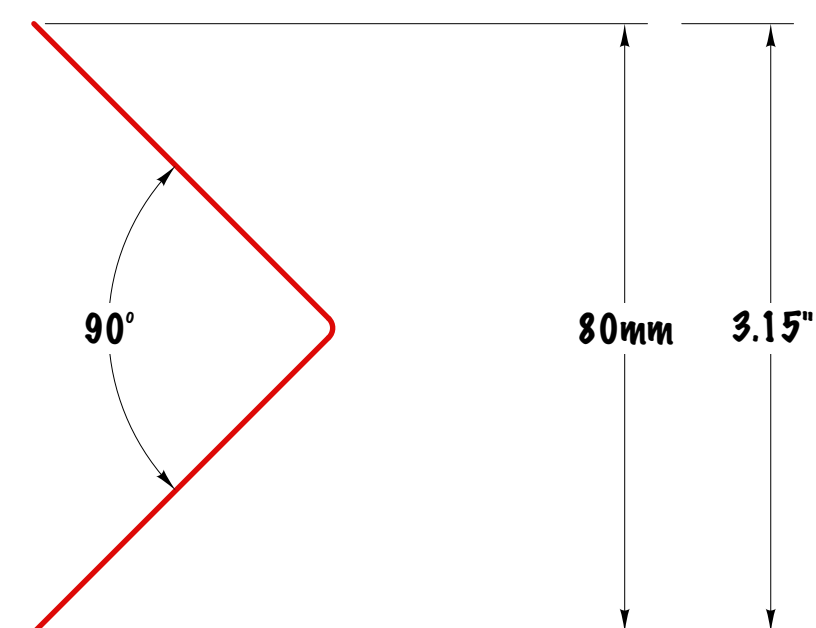
Profile: V5S



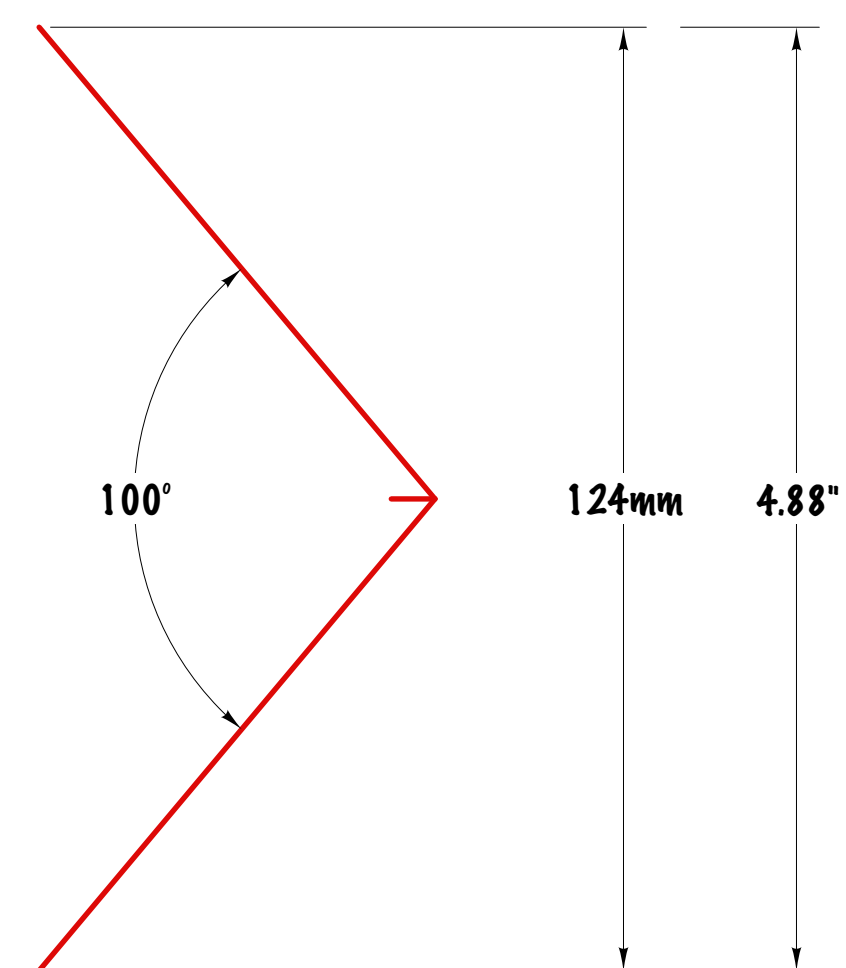
Stainless Steel "V" Knife Profiles:

- R80-002-V1S "V" knife 90° 3.4"/88mm, split (sharp point)
- R80-002-V2S "V" knife, 90°, 3"/80mm, round point
- R80-002-V3S "V" knife, 90°, 5"/124mm, round point
- R80-002-V4S "V" knife, 120°, 3"/80mm, round point
- R80-002-V5S "V" knife, 90° 5"/124mm split, (sharp point)
- R80-002-V6S "V" knife, 100° 5"/124mm split, 2-piece knife, SS
- R80-002-V7S "V" knife, 100°, 3"/80mm, round point
- R80-002-V8S "V" knife, 100°, 3"/80mm, split (sharp point)
- R80-002-V9S Double "V" knife, 90°, 3"/80mm, round point

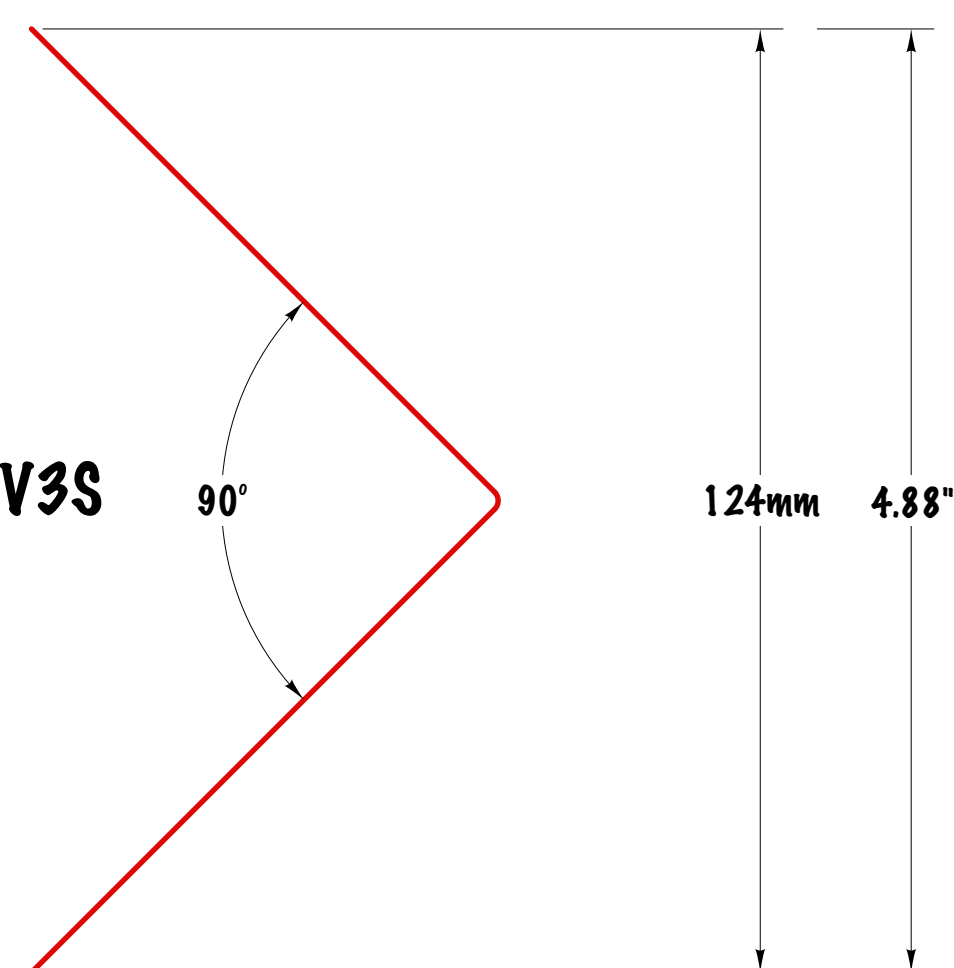
Profile: V2S



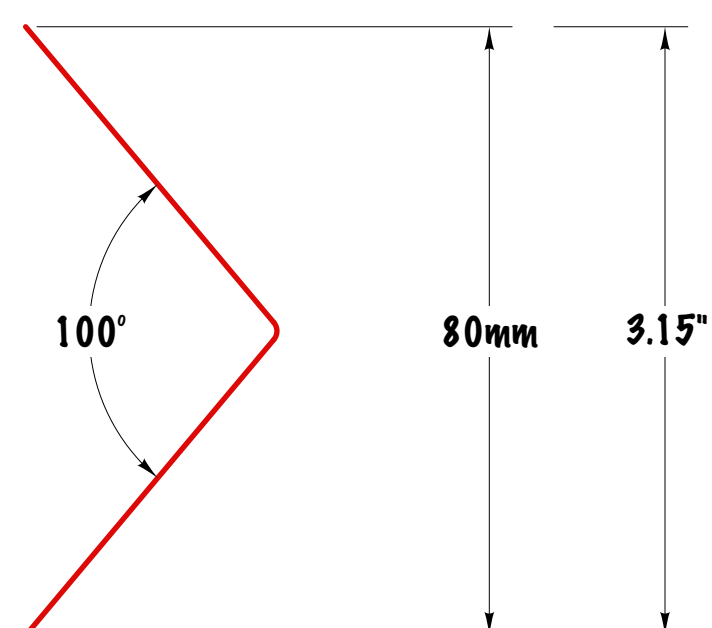
Profile: V6S



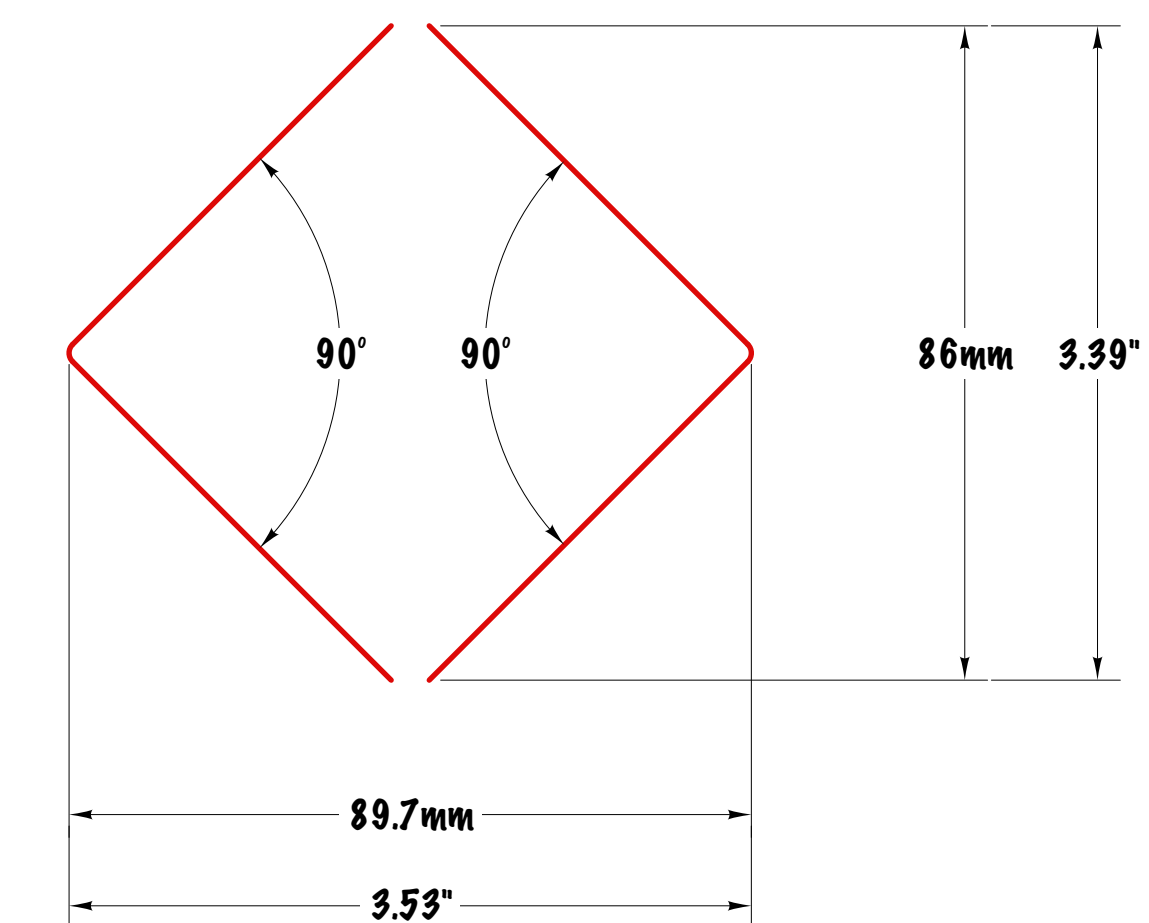
Profile: V3S



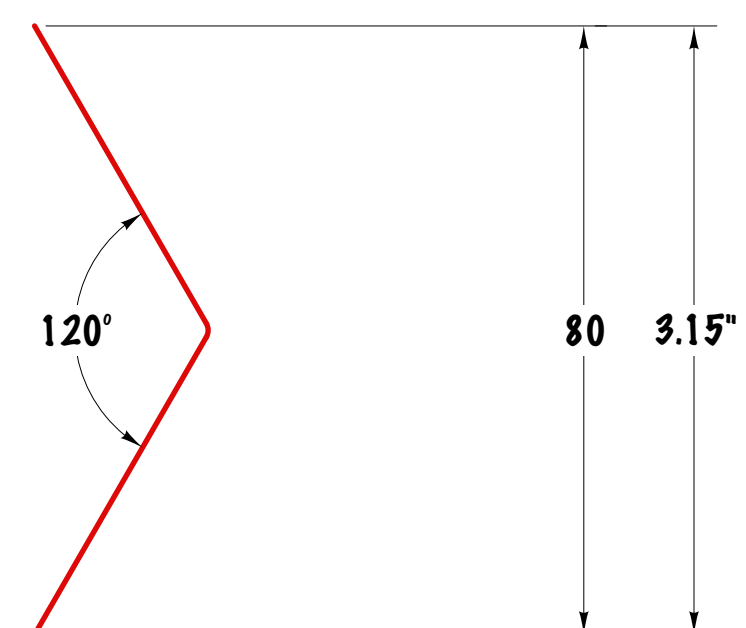
Profile: V7S



Profile: V9S



Profile: V4S



Profile: V8S

