

8

7

6

5

4

3

2

1

D

D

Brass Tactical & Duty Belt Tip Profiles: (for 1.5 1.75 & 2" webbing)

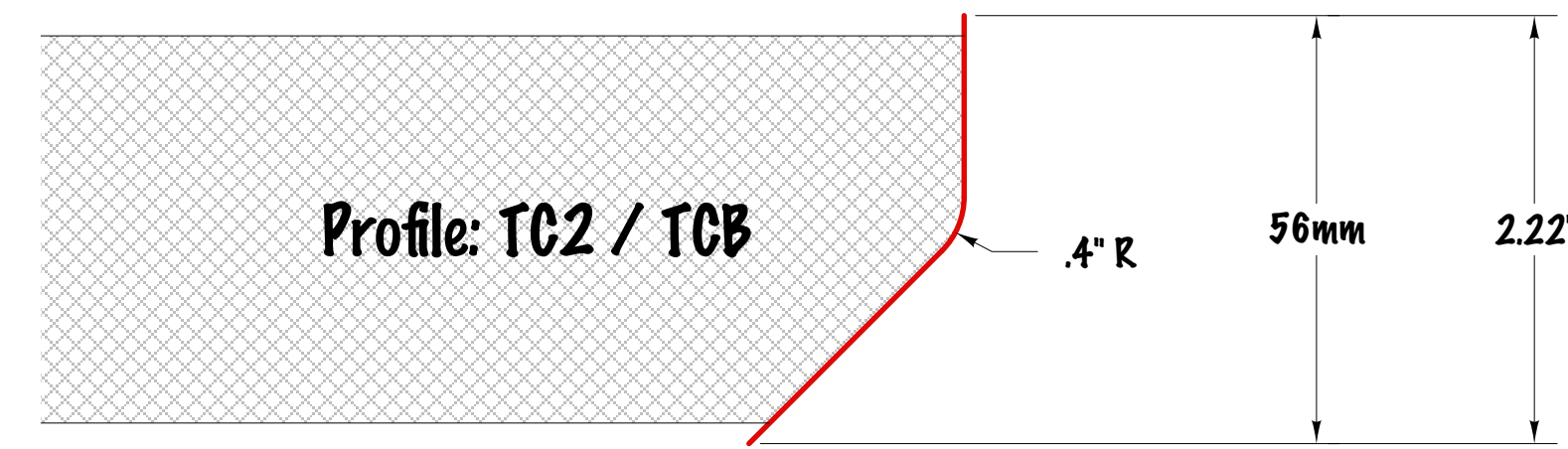
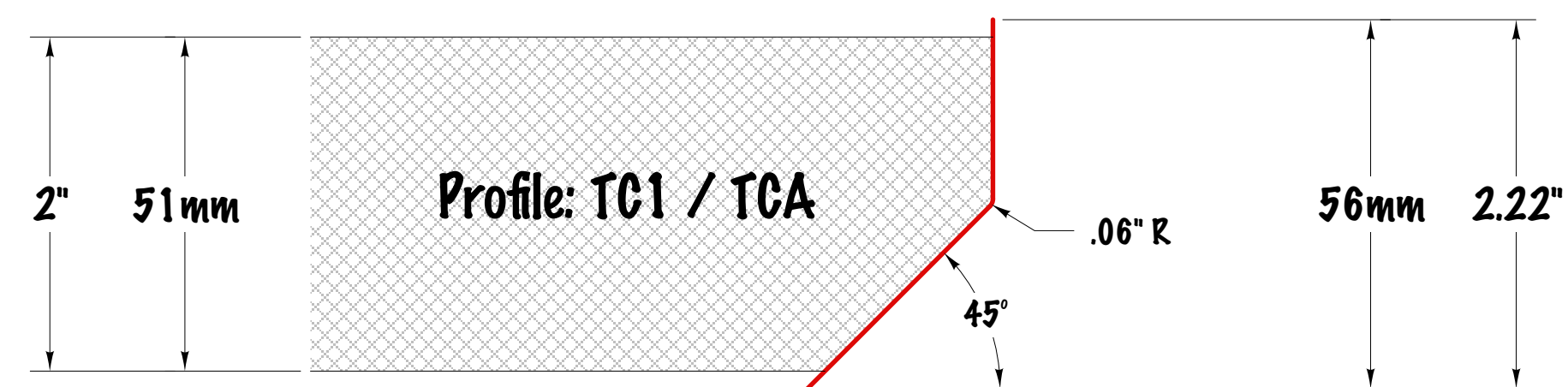
- R80-003-TC1 pointed lead, midway; 2.2" max width, brass
- R80-003-TC2 rounded lead, midway; 2.2" max width, brass
- R80-003-TC3 pointed lead, round corner; 1.5" max width, brass
- R80-003-TC4 pointed lead, round corner; 1.75" max width, brass

Stainless Steel Tactical & Duty Belt Tip Profiles: (for 1.5 1.75 & 2" webbing)

- R80-002-TCA pointed lead, midway; 2.2" max width, SS
- R80-002-TCB rounded lead, midway; 2.2" max width, SS
- R80-002-TCC pointed lead, round corner; 1.5" max width, SS
- R80-002-TCV pointed lead, round corner; 1.75" max width, SS

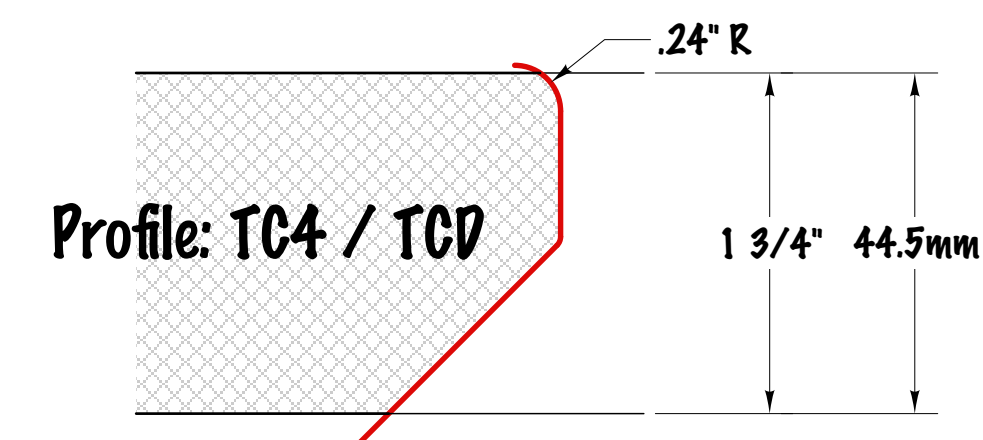
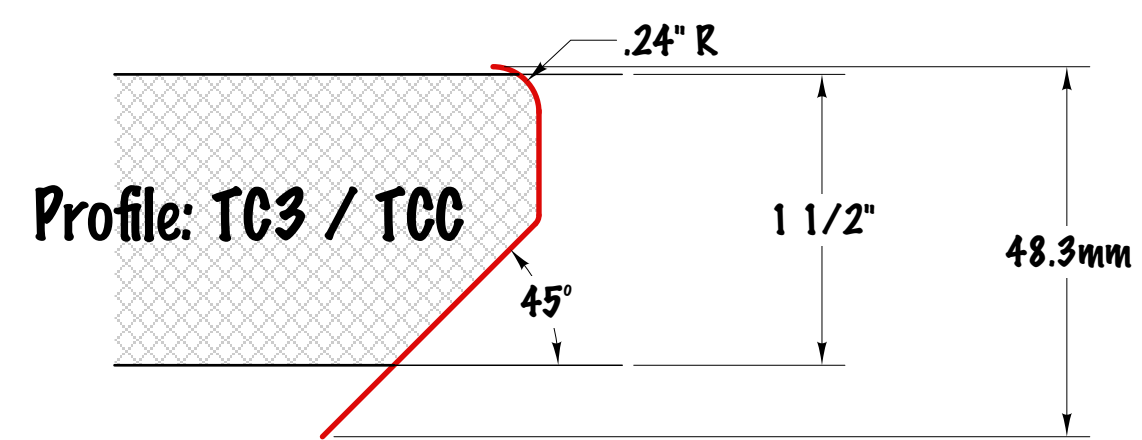
C

C



B

B



A

A